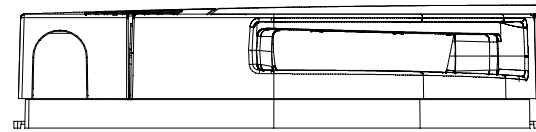
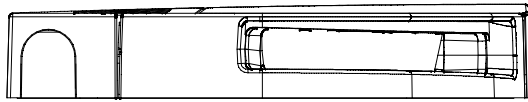


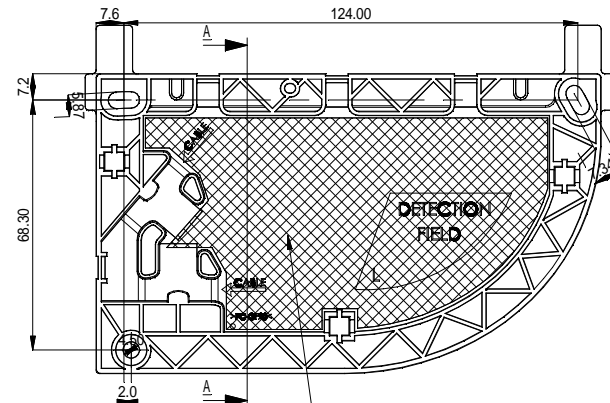
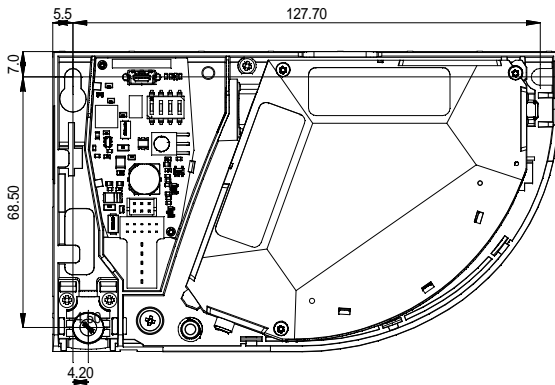
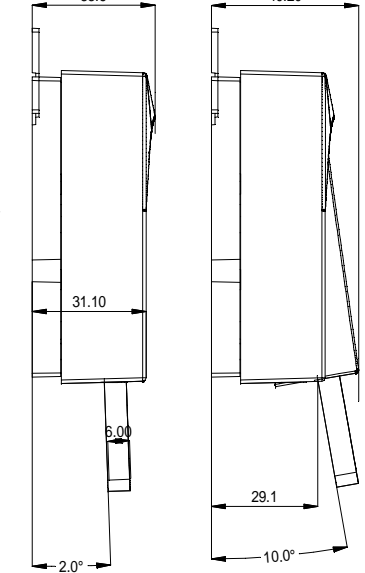
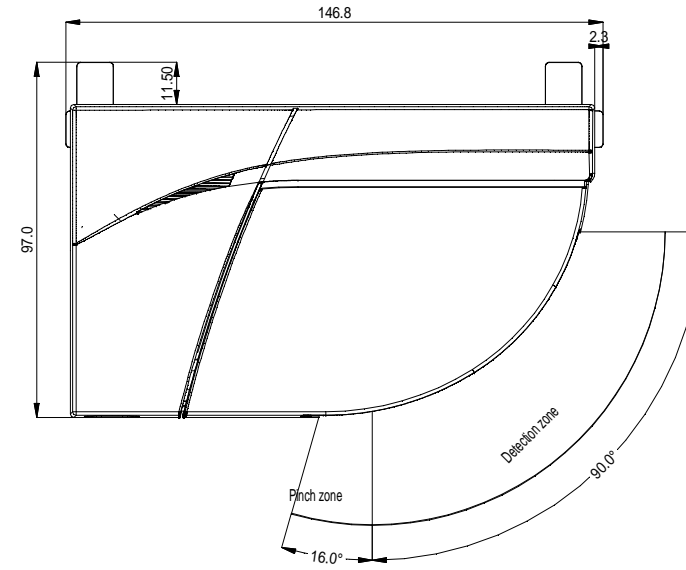
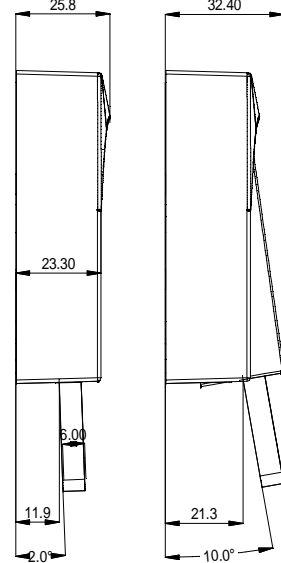
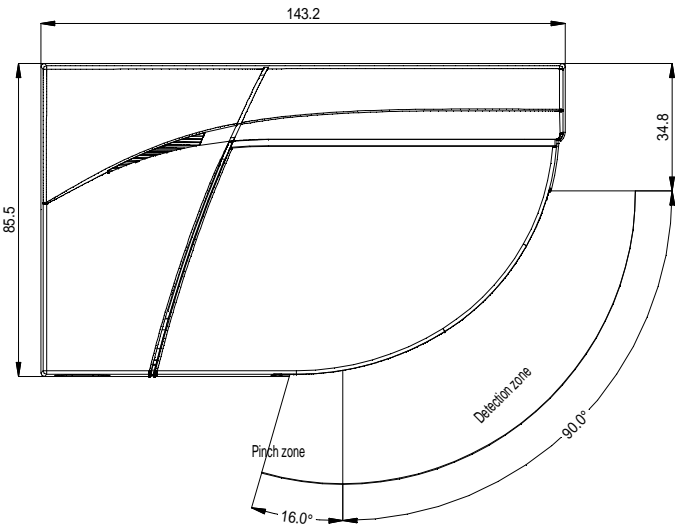
HD-LSS4 WITHOUT MOUNTING ACCESSORY

HD-LSS4 WITH MOUNTING ACCESSORY

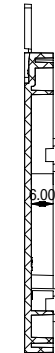


Minimum angular adjustment Maximum angular adjustment

Minimum angular adjustment Maximum angular adjustment



SECTION A-A



Area for free installation of the sensor if the three holes provided are unusable

Part Volume : mm³ - Part Weight : g

THIS DRAWING MAY NOT BE REPRODUCED WITHOUT WRITTEN AGREEMENT

MODIFICATIONS LIST

Date	By	Description	Ver.	Rev.

PROD. NAME : HDLSS4		DRAWER : MRO	
TITLE : EXTERNAL AND MOUNTING DIMENSIONS		DATE : 06/03/15	
GENERAL TOLERANCE : -		VERIFIED	APPROVED
MATERIAL : -		TREATMENT : -	
Objet	Ver. Obj.	Doc.	Rev. Doc.
Scale	Size		
1:1	A2		